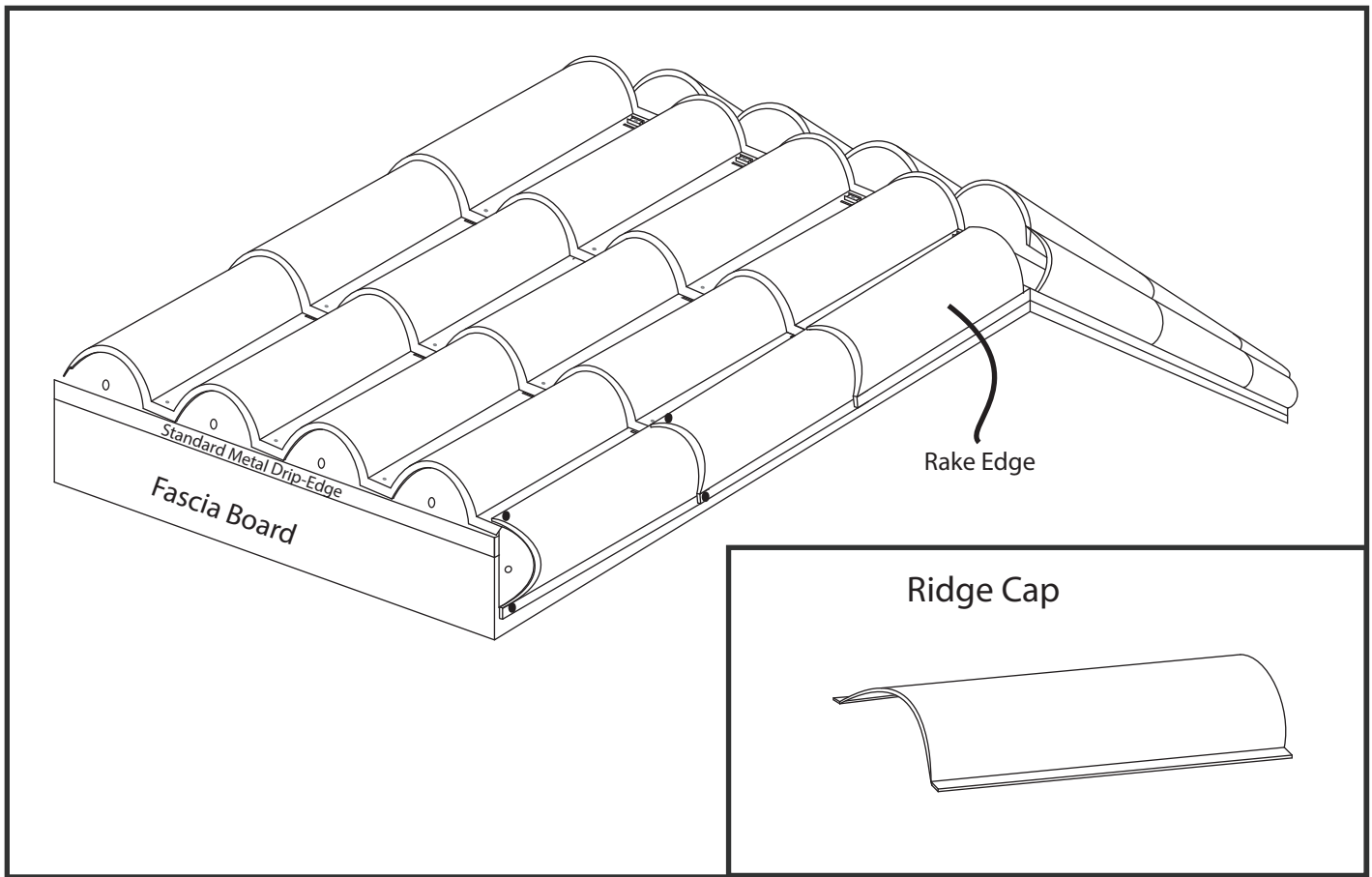
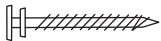


# Ekoroof Tile Ridge Installation Detail - Mortar Method

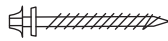


Ridge Fastener is #10 wood point, Corrosion Resistant & Approved Screw w/ EPDM washer & Hex or Concealor head, 1 1/2" long, attaching the ridge to the tile, color-matched for aesthetics.

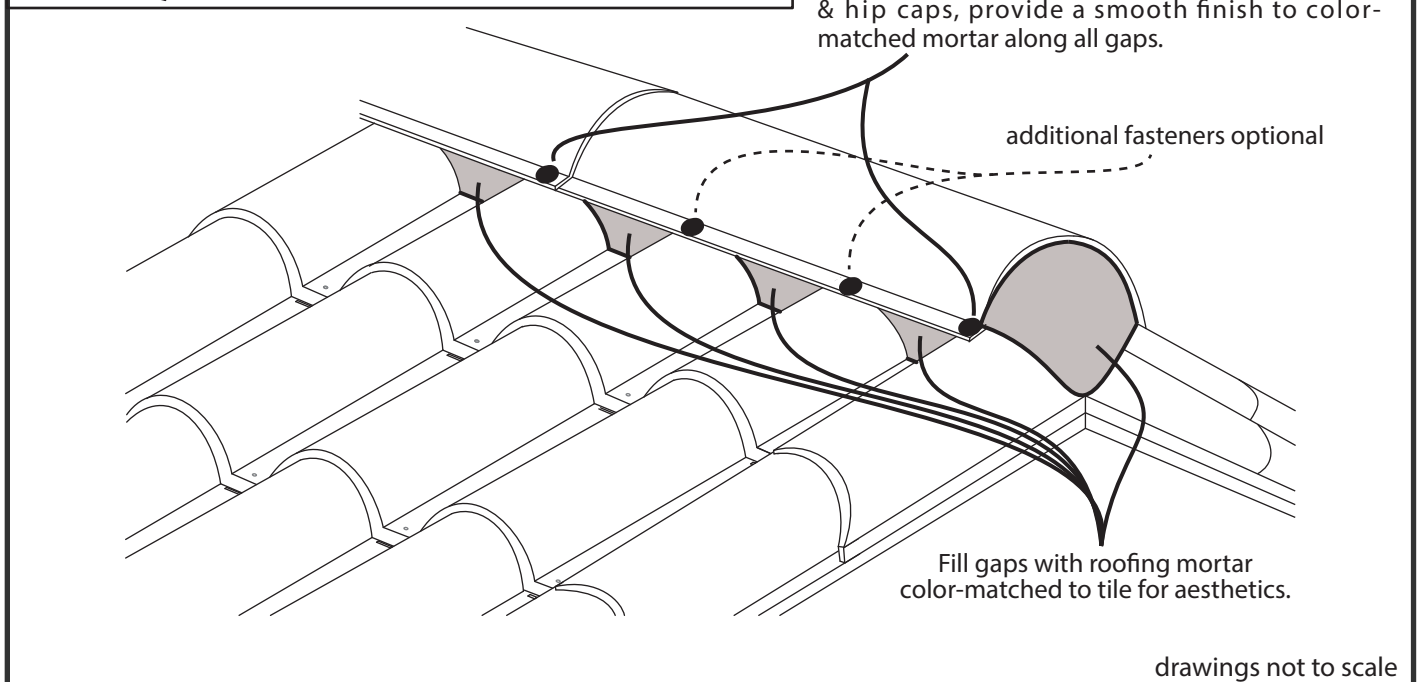
Concealor / Pancake Head



1/4" Hex Drive

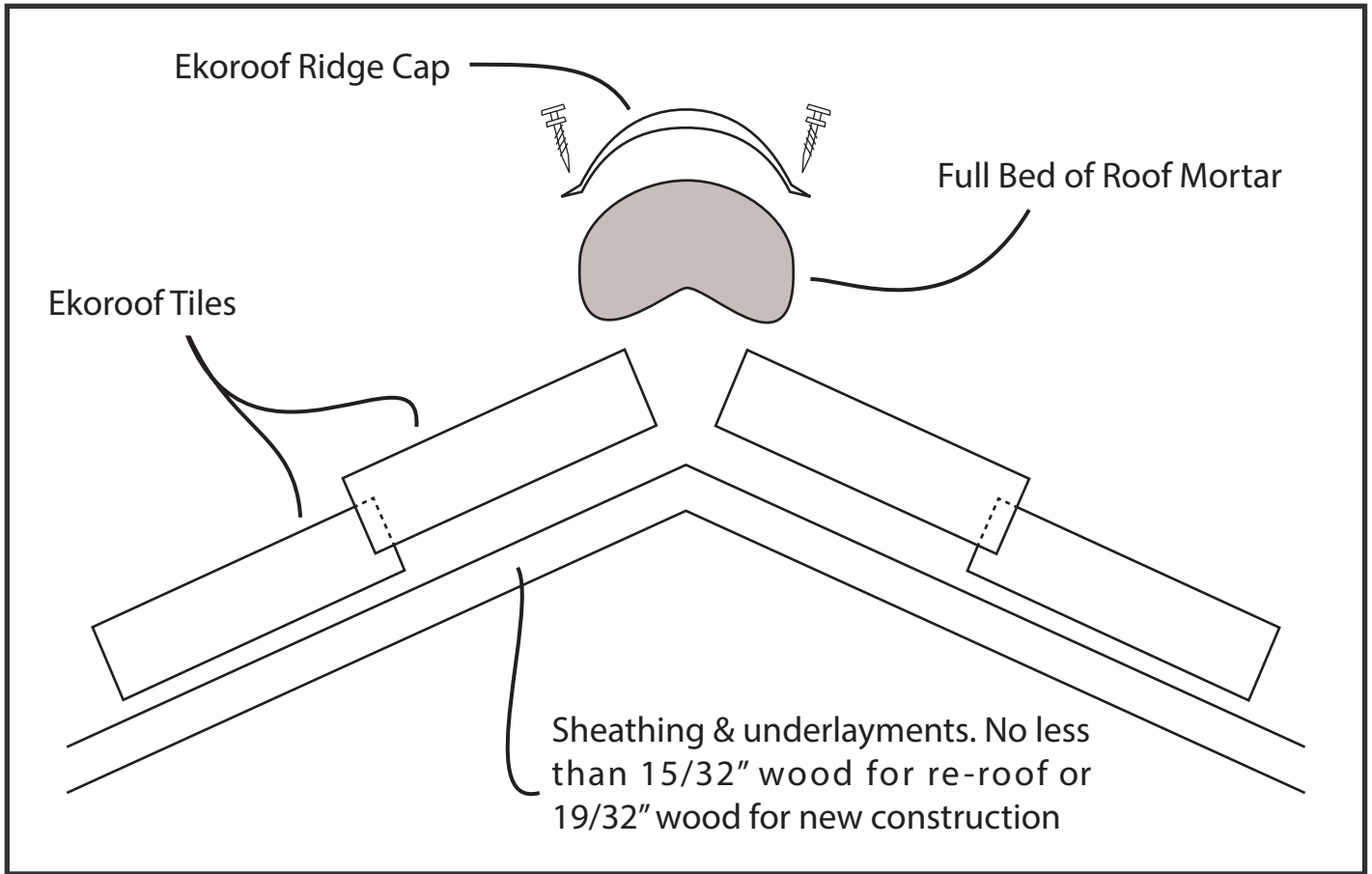


Apply a full bed of mortar at the ridge & hip junctions then attach the caps to the tiles as specified in the diagram. Each ridge cap is fastened at all corners with at least one fastener as shown. Additional fasteners may be used at each contact point with tile, if desired. After fastening ridge & hip caps, provide a smooth finish to color-matched mortar along all gaps.



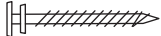
drawings not to scale

# Ekorooftile Ridge Installation Detail - Mortar Method Cont.

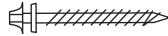


Ridge Fastener is #10 wood point, Corrosion Resistant & Approved Screw w/ EPDM washer & Hex or Concealor head, 1 1/2" long, attaching the ridge to the tile, color-matched for aesthetics.

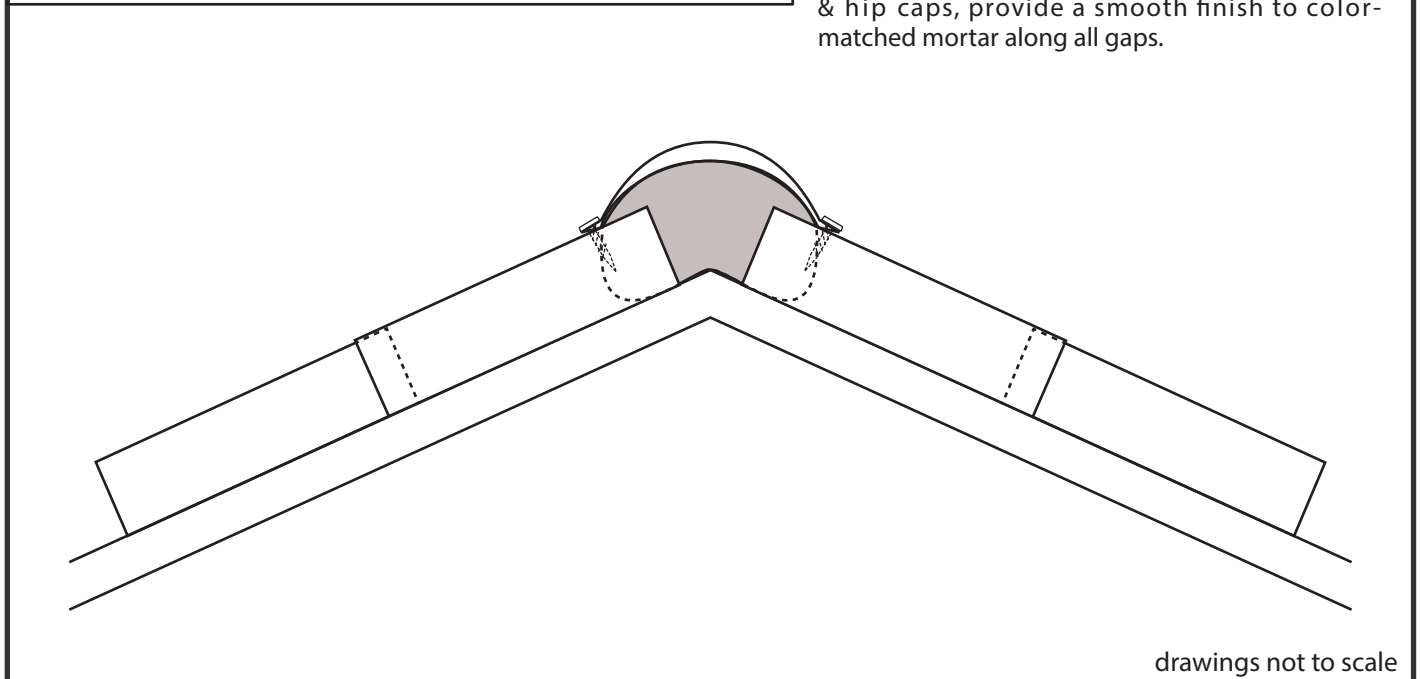
Concealor / Pancake Head



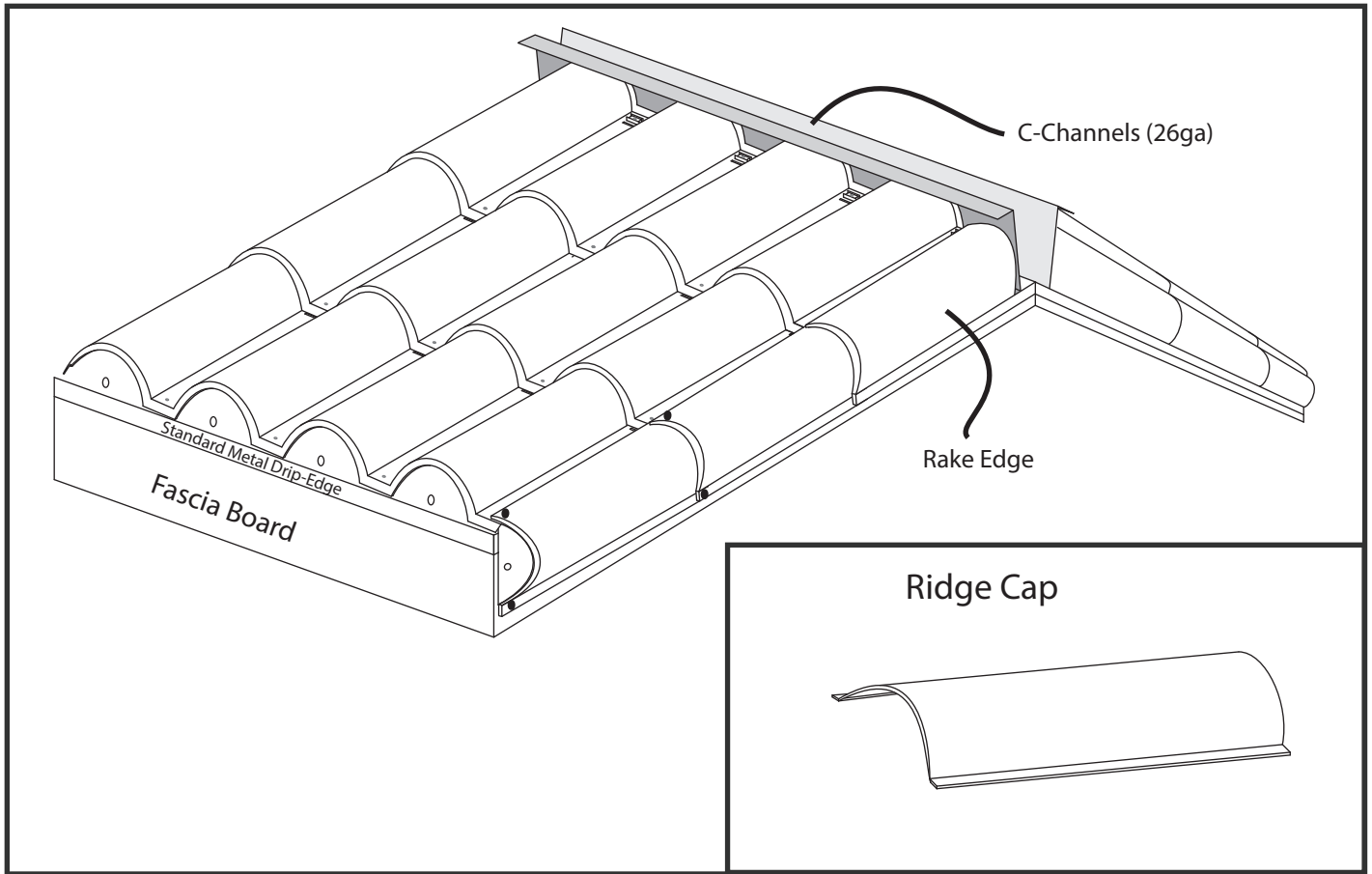
1/4" Hex Drive



Apply a full bed of mortar at the ridge & hip junctions then attach the caps to the tiles as specified in the diagram. Each ridge cap is fastened at all corners with at least one fastener as shown. Additional fasteners may be used at each contact point with tile, if desired. After fastening ridge & hip caps, provide a smooth finish to color-matched mortar along all gaps.



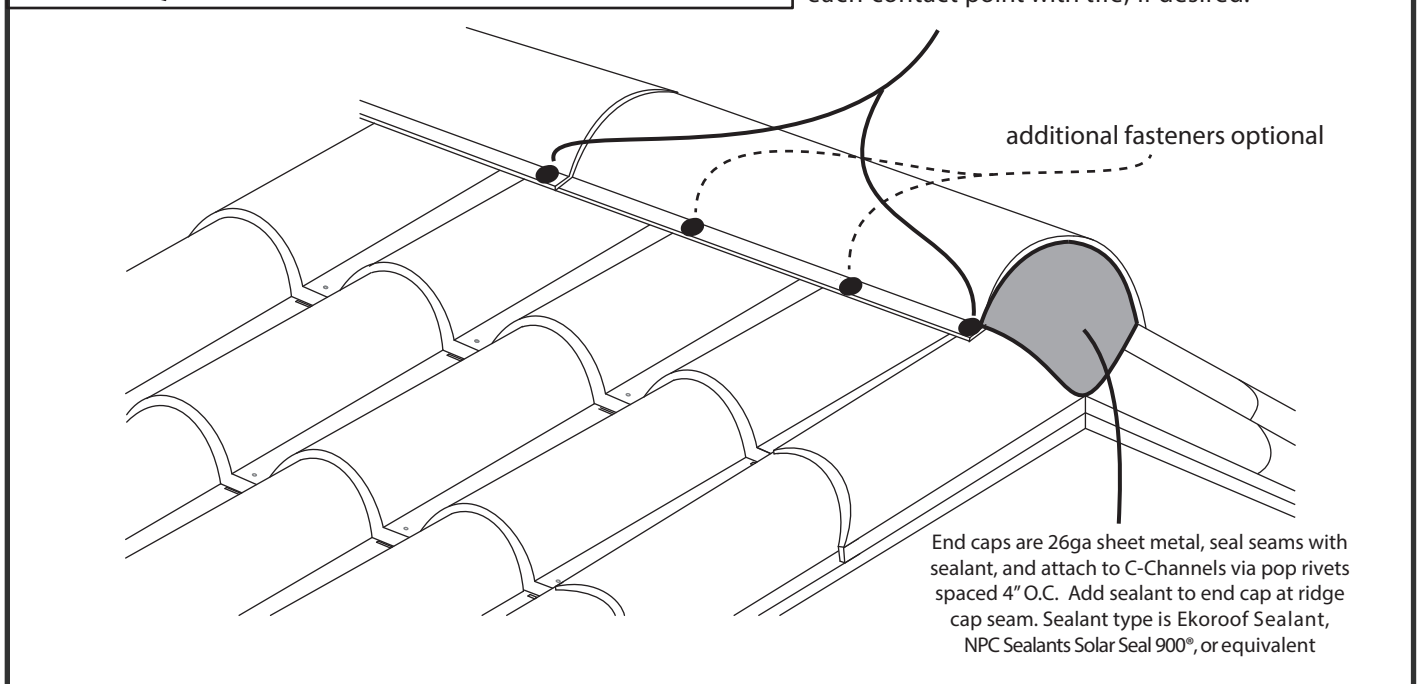
# Ekorooftile Ridge Installation Detail - C-Channel Method



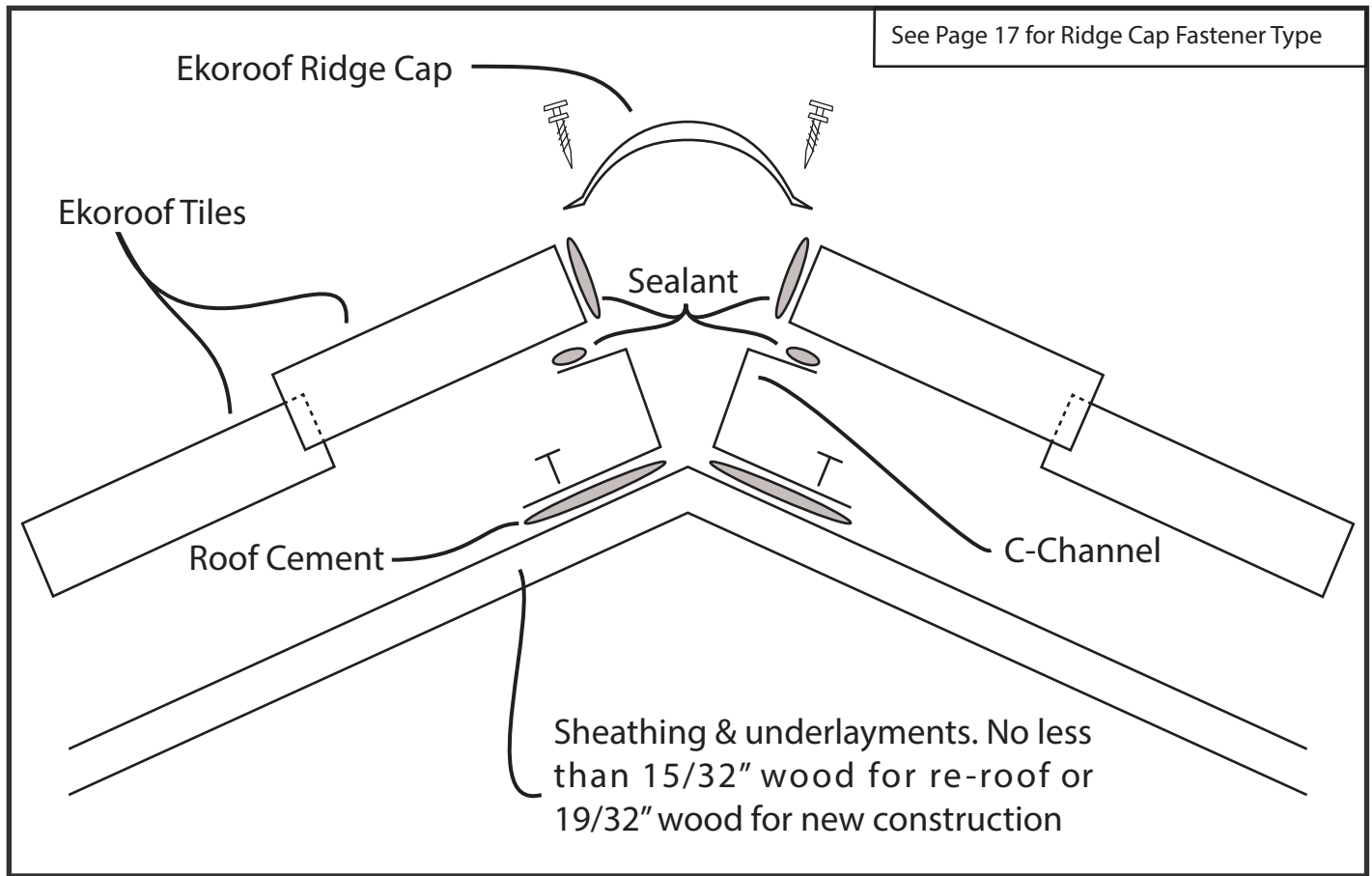
Ridge Fastener is #10 wood point, Corrosion Resistant & Approved Screw w/ EPDM washer & Hex or Concealor head, 1 1/2" long, attaching the ridge to the tile, color-matched for aesthetics.



Install C-Channels at the top of the ridge, then fasten Ekorooftile panels abutting the inner part of the channel. Ekorooftile tiles may be cut to fit. Fasten ridge cap by penetrating through top lip of C-Channel. Additional fasteners may be used at each contact point with tile, if desired.

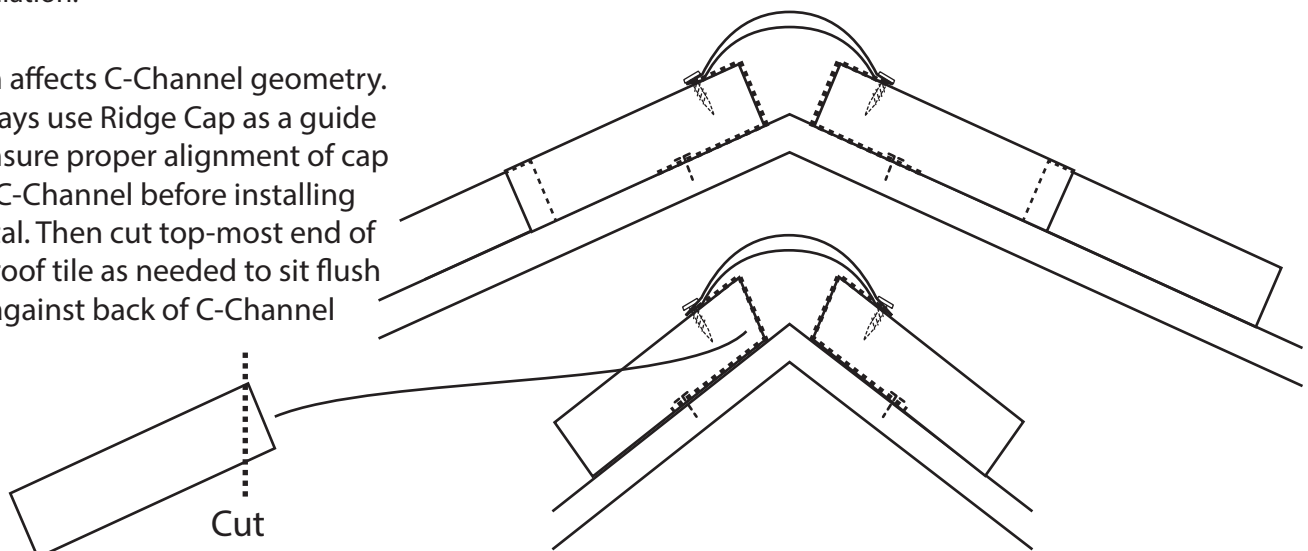


# Ekorooftile Ridge Installation Detail - C-Channel Method Cont.



Apply roofing cement to bottom of C-Channels and mark the necessary spacing by using the Ekorooftile Ridge Cap as a guide, then permanently install at the top of the ridge by fastening at lower edge every 4" O.C. with approved 1 1/4" RS Roofing Nails. Fasten Ekorooftile LiteTile panels abutting the inner part of the channel, and seal with sealant described below at the abutment point. Add a bead of sealant to the top lip of the C-Channel and fasten ridge cap by penetrating through top lip of C-Channel and high point of Ekorooftile tile beneath it. Additional fasteners may be used at each contact point with tile, if desired. All C-Channel overlaps shall be 6" minimum, and sealed. Sealant type is Ekorooftile Sealant, NPC Sealants Solar Seal 900®, or equivalent. This detail also covers Hip installation.

Pitch affects C-Channel geometry. Always use Ridge Cap as a guide to ensure proper alignment of cap & C-Channel before installing metal. Then cut top-most end of Ekorooftile tile as needed to sit flush against back of C-Channel



drawings not to scale